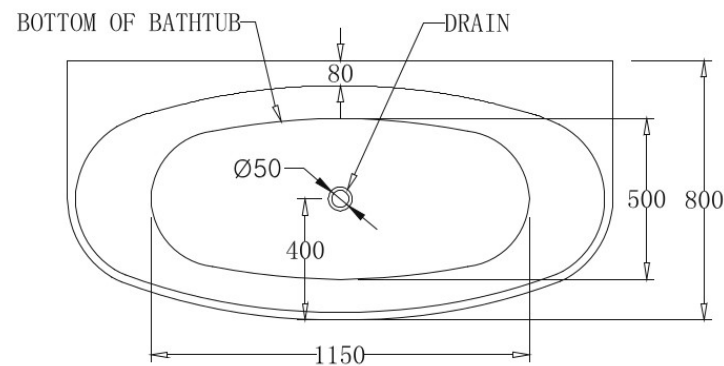
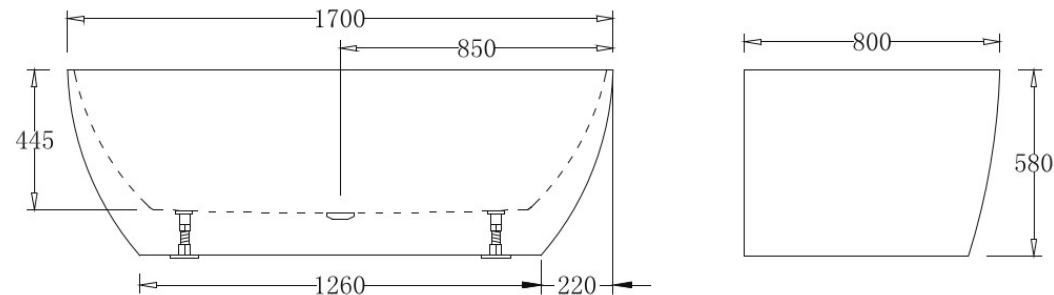




## CELINE FREESTANDING WALL FACED BATH 1700MM WHITE LB1065W17

- Contemporary new design
- Available in white
- Sanitary grade acrylic finish
- Metal frame construction adds strength and durability
- 10 year structural replacement warranty
- Plug & waste and flexible connector purchased separately
- Volume approx. 250 litres
- Must be installed by a licensed plumber



### **MILLENNIUM TAPWARE**

by Peter W. Eldering Pty. Ltd.

NSW: 7 HARLEY CRES, CONDELL PARK, NSW 2200, PH: 02 9791 9655

FAX: 02 9791 9611 E: sales@eldering.com.au

QLD: 5/30 McCOTTER ST, ACACIA RIDGE, QLD 4110, PH: 07 3273 1071

FAX 07 3273 4038 E: qld@millenniumtapware.com.au

[www.millenniumtapware.com.au](http://www.millenniumtapware.com.au)